

One Shot Octal Socket Power Supply WSCC-102

P-239-38
819-0400

Installation Instructions

Part Number
901-00-019



An Altra Industrial Motion Company

Installation Instructions Part # 901-00-019

⚠ WARNING Failure to follow these instructions may result in product damage, equipment damage, and serious or fatal injury to personnel.

Introduction

Warner Electric's One Shot Octal Socket Power Supply is a plug-in clutch/brake control designed for operation of AC or DC wrap spring clutches and brakes. The One Shot provides a single voltage pulse of 160 or 325 VDC for approximately 15MS, whether the customer supplied switch is momentarily closed or held closed, and can be used with all 12VDC, 24VDC, 90VDC, and 115VAC D-frame solenoid operated products that contain an Actuator Limit Stop option.

The One Shot Power Supply is UL Listed when used with Warner Electric's octal socket, part no. 6001-101-001, or DIN rail mount octal socket, part no. 6001-101-002 (each purchased separately) and only UL Recognized when used with other sockets. This unit may be mounted in any convenient position using the two mounting holes provided on the socket.

Specifications

Input:	120/240 VAC, 50/60 Hz
Output:	160/290 VDC peak 5 amps max. load
Ambient Temp.:	+32° to +122°F (0° to 50°C)
Cycle Rate:	The maximum cycle rate is 400 CPM*.

*See Table 1 for maximum cycle rates by input and solenoid

Solenoid	VAC Input	Maximum Cycle Rate
12 VDC	120	200 CPM
	240	35 CPM
24 VDC	120	300 CPM
	240	40 CPM
90 VDC	120	400 CPM
	240	60 CPM
115 VDC	120	350 CPM
	240	45 CPM

Table 1

Installation

1. Connect the two leads from the wrap spring solenoid to terminals 6 and 7 of the octal socket.
2. Connect the common of the relay to terminal 1 of the socket, the normally closed to terminal 2, and the normally open to terminal 8.
3. Connect the HOT AC input wire to terminal 3 of the socket and the neutral wire to terminal 4.

Reorder Information

Model	Part No.
One Shot Power Supply	901-00-019
Octal Socket	6001-101-001
DIN Rail Mount Octal Socket	6001-101-002

Warner Electric's Complete Line of Wrap Spring Products

Series	Torque Ratings	Models
Standard CB	from 25 lb.in to 2,500 lb.in	CB-2, CB-4, CB-5, CB-6 and CB-8
Super CB (SCB)	from 250 lb.in to 2,500 lb.in	Super CB-5, Super CB-6 and Super CB-8
WSC	from 25 lb.in to 2,500 lb.in	WSC-2, WSC-4, WSC-5, WSC-6 and WSC-8
Controls	One Shot Power Supply WSCC-101 and One Shot Octal Socket Power Supply WSCC-102	

Connection Diagram

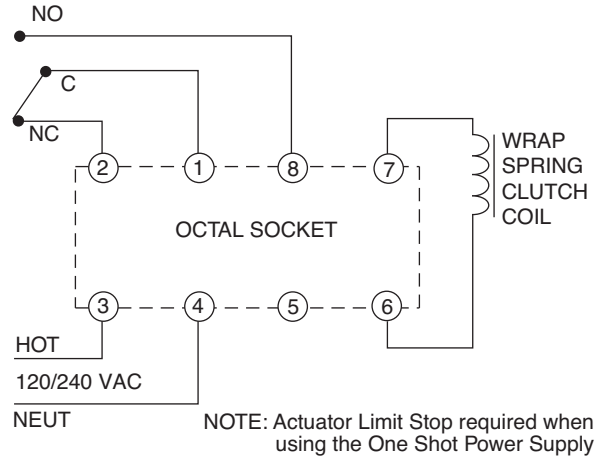
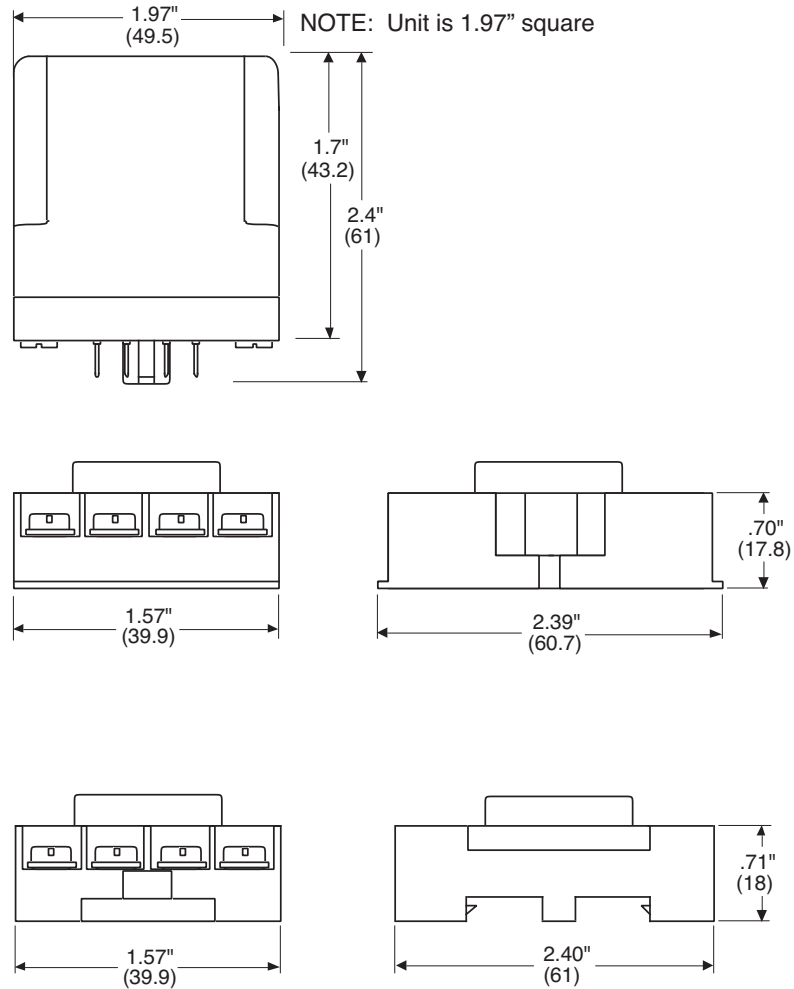


Figure 1

Dimensions



Note: All dimensions are nominal (millimeters).

Figure 2

Warranty

Warner Electric LLC warrants that it will repair or replace (whichever it deems advisable) any product manufactured and sold by it which proves to be defective in material or workmanship within a period of one (1) year from the date of original purchase for consumer, commercial or industrial use.

This warranty extends only to the original purchaser and is not transferable or assignable without Warner Electric LLC's prior consent.

Warranty service can be obtained in the U.S.A. by returning any defective product, transportation charges prepaid, to the appropriate Warner Electric LLC factory. Additional warranty information may be obtained by writing the Customer Satisfaction Department, Warner Electric LLC, 449 Gardner Street, South Beloit, Illinois 61080, or by calling 815-389-3771.

A purchase receipt or other proof of original purchase will be required before warranty service is rendered. If found defective under the terms of this warranty, repair or replacement will be made, without charge, together with a refund for transportation costs. If found not to be defective, you will be notified and, with your consent, the item will be repaired or replaced and returned to you at your expense.

This warranty covers normal use and does not cover damage or defect which results from alteration, accident, neglect, or improper installation, operation, or maintenance.

Some states do not allow limitation on how long an implied warranty lasts, so the above limitation may not apply to you.

Warner Electric LLC's obligation under this warranty is limited to the repair or replacement of the defective product and in no event shall Warner Electric LLC be liable for consequential, indirect, or incidental damages of any kind incurred by reason of the manufacture, sale or use of any defective product. Warner Electric LLC neither assumes nor authorizes any other person to give any other warranty or to assume any other obligation or liability on its behalf.

WITH RESPECT TO CONSUMER USE OF THE PRODUCT, ANY IMPLIED WARRANTIES WHICH THE CONSUMER MAY HAVE ARE LIMITED IN DURATION TO ONE YEAR FROM THE DATE OF ORIGINAL CONSUMER PURCHASE. WITH RESPECT TO COMMERCIAL AND INDUSTRIAL USES OF THE PRODUCT, THE FOREGOING WARRANTY IS IN LIEU OF AND EXCLUDES ALL OTHER WARRANTIES, WHETHER EXPRESSED OR IMPLIED BY OPERATION OF LAW OR OTHERWISE, INCLUDING, BUT NOT LIMITED TO, ANY IMPLIED WARRANTIES OF MERCHANTABILITY OR FITNESS.

Some states do not allow the exclusion or limitation of incidental or consequential damages, so the above limitation or exclusion may not apply to you. This warranty gives you specific legal rights and you may also have other rights which vary from state to state.

Changes in Dimensions and Specifications

All dimensions and specifications shown in Warner Electric catalogs are subject to change without notice. Weights do not include weight of boxing for shipment. Certified prints will be furnished without charge on request to Warner Electric.



Warner Electric LLC
449 Gardner Street • South Beloit, IL 61080
815-389-3771 • Fax: 815-389-2582
www.warnerelectric.com
An Altra Industrial Motion Company